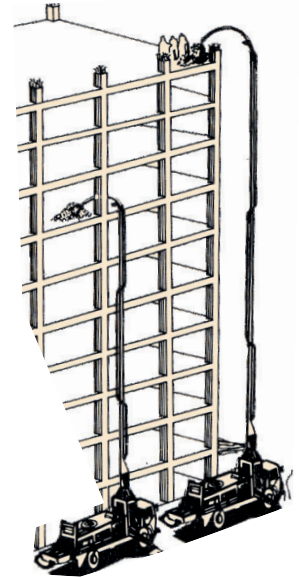
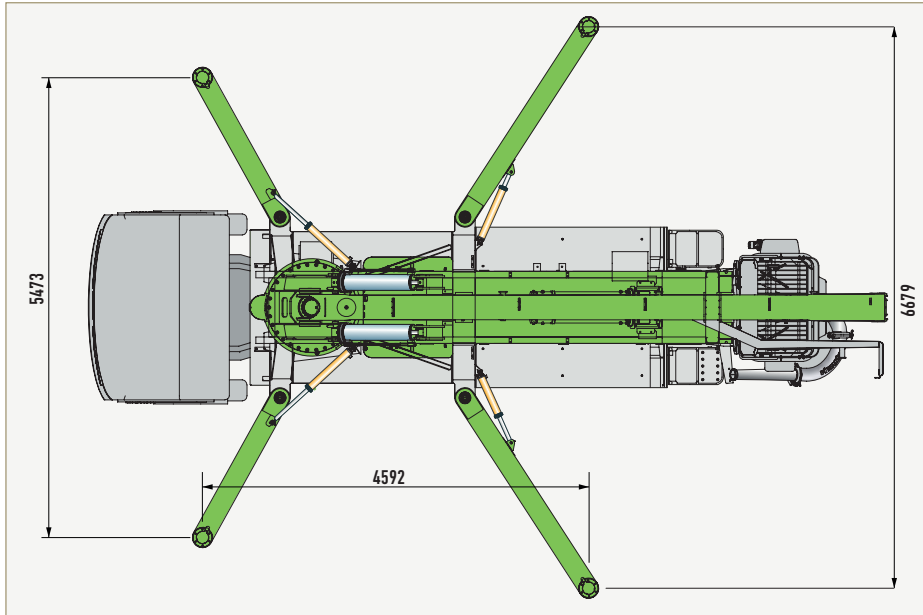
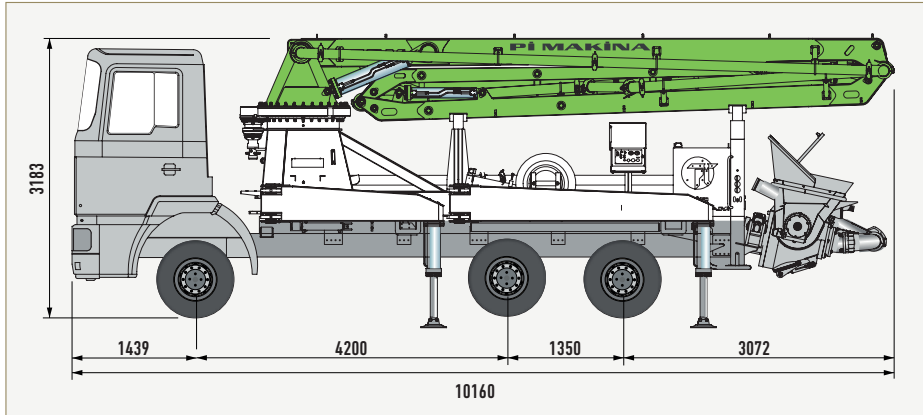


# TRUCK MOUNTED CONCRETE PUMPS KAMYON ÜSTÜ BETON POMPALARI Pi Po K 75.33



# Diagram of 33m Boom 33 m Bom Diyagramı

