

TRUCK MOUNTED CONCRETE PUMPS KAMYON ÜSTÜ BETON POMPALARI Pi Po K 140.40 ZX

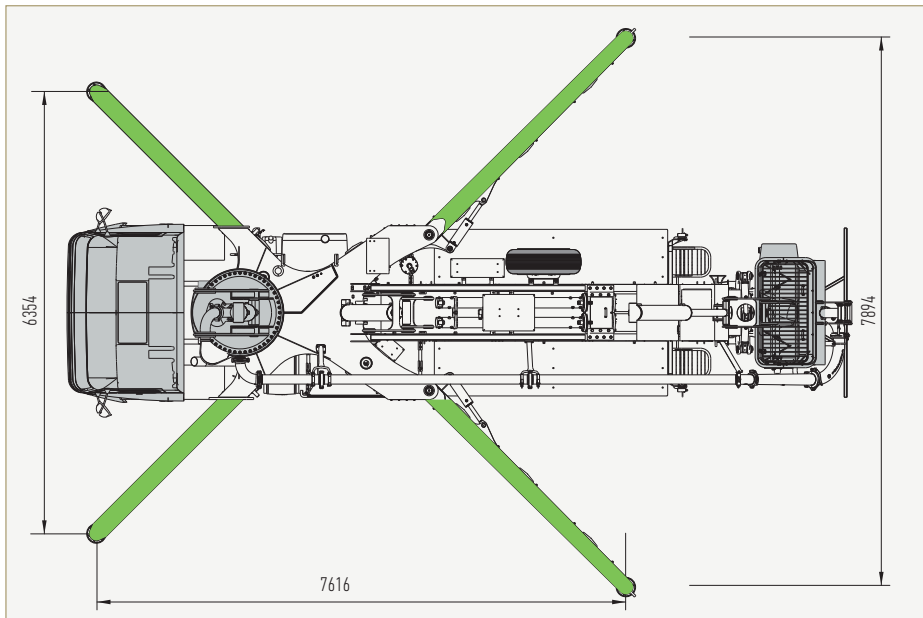
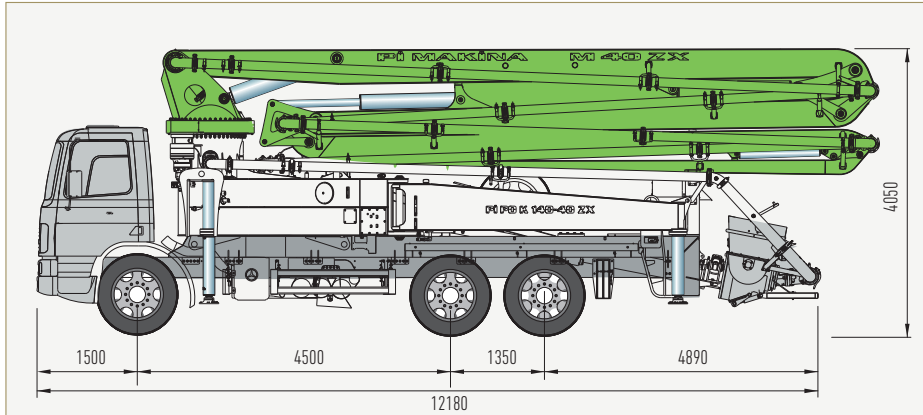


Diagram of 40m Boom

40 m Bom Diyagramı

