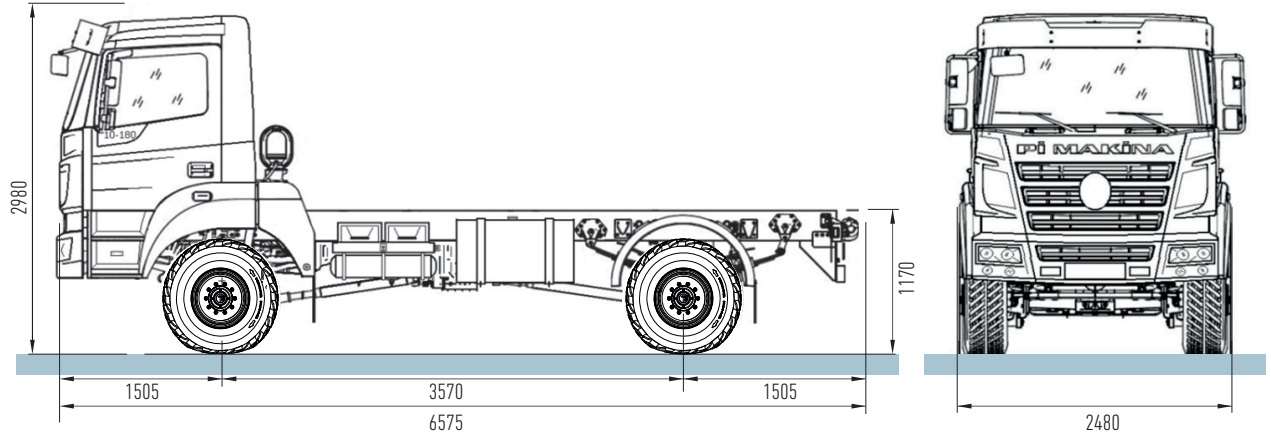


PI KAM 10-180

PI KAM 10-180 4 x 4

Machine Dimensions
Genel Ölçüler



Specifications Özellikler



Kabin

Cab

Kabin Tipi Cab Type	Alçak tavan - Fiber Kabin Low Ceiling Sheet Fiber Cabin
------------------------	--



Motor

Engine

Tip Type	Cummins ISB 4.5 E6
Hacim Displacement	4D 39 T 4 silindir - cylinder
Güç Power	134 kW (180 HP)
Tork Torque	350 Nm



Yakıt Sistemi

Fuel System

Yakıt Enjeksiyonu Fuel Injection	Direct Enjeksiyon Direkt Injection
Yakıt Tankı Fuel Tank	150 Lt. 26 Lt. Adblue



Şanzıman

Transmission

Marka Brand	ZF
Tip Type	128779



Ara Şanzıman

Transfer Gearbox

Marka Brand	Pi Makina
Tip Type	Pi TGB 2 S2 (1:1 - 1:0,533)



Direksiyon Sistemi

Steering System

Marka Brand	Hema
Tip Type	Hidrolik Takviyeli Hydraulic Supported



Debriyaj

Clutch System

Marka Brand	Mercedes
Tip Type	Wabco



Aklar

Axels

Ön Aks Front Axle	PIFA 1427 (1:7.15)
Arka Aks Rear Axle	PIRA 1427 (1:7.15)



Elektrik

Electric

Arka Aks Rear Axle	24 V (2 x 12V - 165 Ah)
-----------------------	-------------------------



Fren Sistemi

Break System

Tip Type	Wabco Hava tahrikli kampana sistemi Wabco Air driven drum system
-------------	---



Süspansiyon

Suspension

Ön Makas Tipi Front Springs Type	Parabolic Makas Parabolic Springs
Arka Makas Tipi Rear Springs Type	Parabolic Makas Parabolic Springs



Lastikler ve Jantlar

Tyres and Rims

Ön Aks Front Axle	12.5 R20
Arka Aks Rear Axle	4+1



Araç Kapasitesi

Vehicle Capacity

Yüksüz Ağırlık Total Weight	3750 kg
Yüklü Ağırlık Loaded Weight	6500 kg
Tırmanma Kabiliyeti Gradeability	31° (%60)
Yükseklik Height	2980 mm ±20
Genişlik Width	2480 mm ±20
Uzunluk Length	6575 mm ±20
Azami Hız Maximum Speed	100 km/h