

TRUCK MOUNTED CONCRETE PUMPS KAMYON ÜSTÜ BETON POMPALARI Pi Po K 140.44

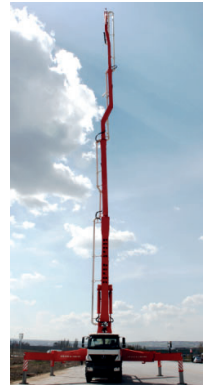
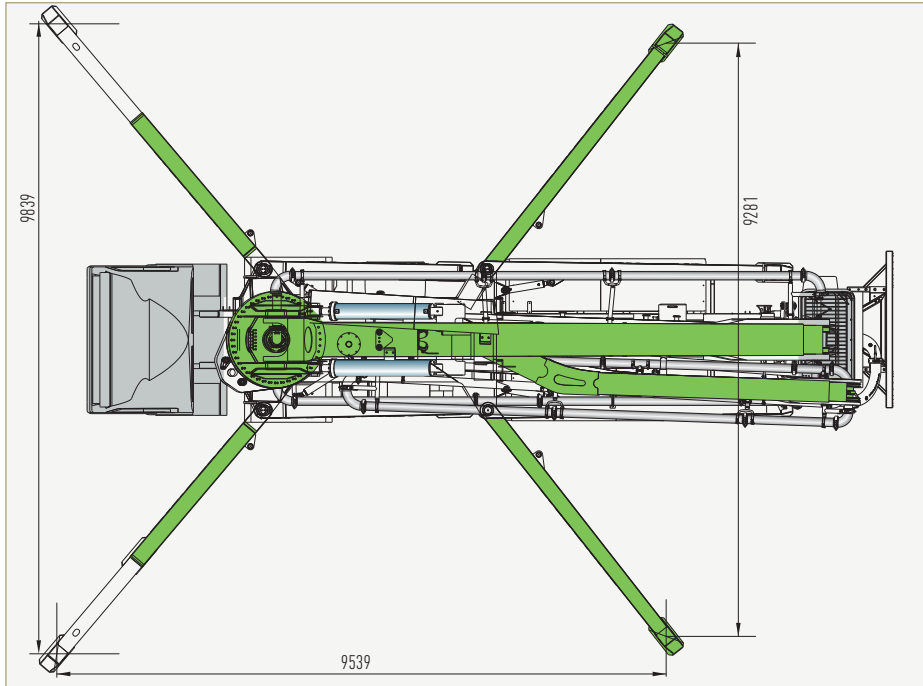
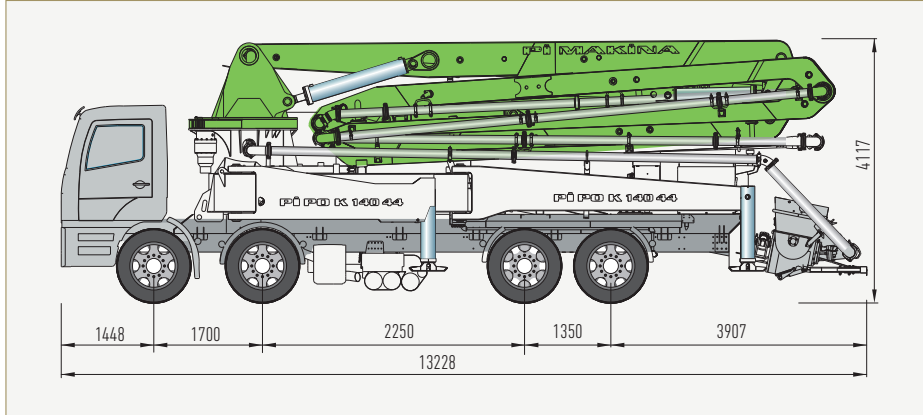


Diagram of 44 m Boom

44 m Bom Diyagramı

