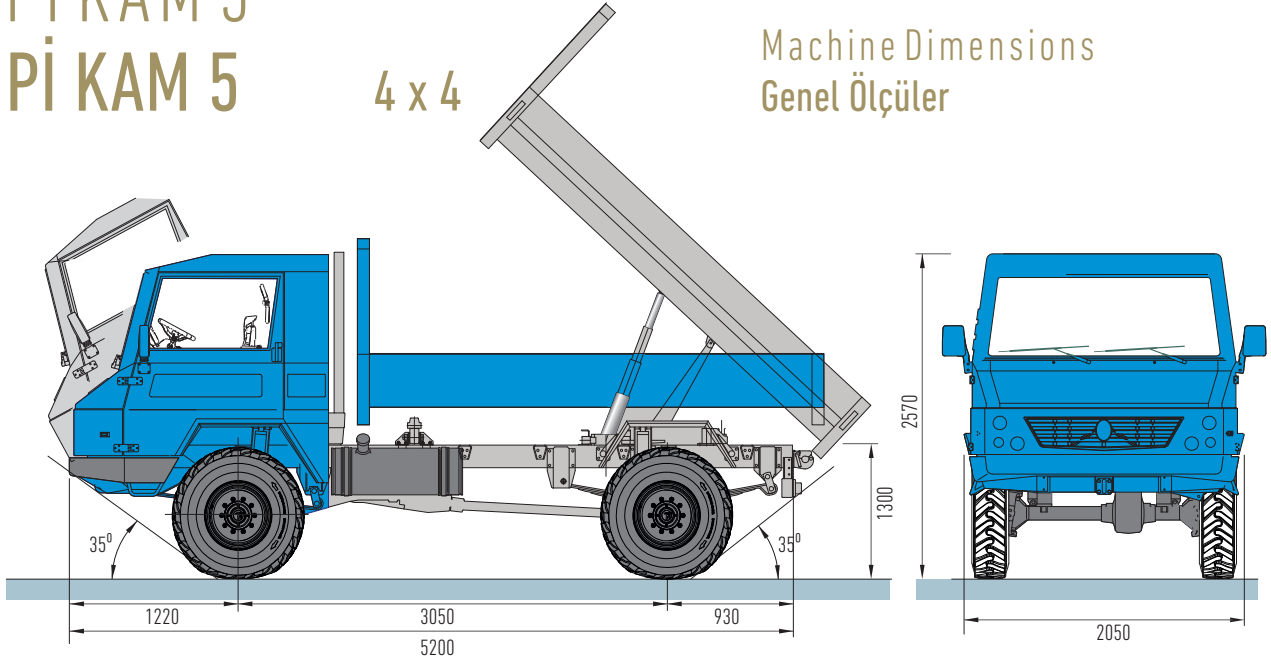


Pİ KAM 5 Pİ KAM 5

4 x 4

Machine Dimensions
Genel Ölçüler



Specifications Özellikler



Kabin

Cab

Kabin Tipi Cab Type	Alçak tavan - Sac Kabin Low Ceiling Sheet Metal Cabin
------------------------	----------------------------------------------------------



Motor

Engine

Tip Type	FPT F1C EURO5
Hacim Displacement	4000 cm ³ 4 silindir - cylinder
Güç Power	125 kW (170 HP) @ 3500 rpm
Tork Torque	400 Nm @ 1200 - 1250 rpm



Yakıt Sistemi

Fuel System

Yakıt Enjeksiyonu Fuel Injection	Bosch
Yakıt Tankı Fuel Tank	105 Lt.



Şanzıman

Transmission

Marka Brand	FPT
Tip Type	2480-6 (6+1)



Ara Şanzıman

Transfer Gearbox

Marka Brand	Pi Makina
Tip Type	Pi TGB 1/1 - 1/1,875



Direksiyon Sistemi

Steering System

Marka Brand	TRW
Tip Type	TAS - 30606 (150 bar)



Debriyaj

Clutch System

Marka Brand	Cargo (23170848)
Tip Type	FTE



Akslar

Axels

Ön Aks Front Axle	PIFA 1033 A (1:6.05)
Arka Aks Rear Axle	PIRA 1033 A (1:6.05)



Elektrik

Electric

Arka Aks Rear Axle	12 V 135 Amp.
-----------------------	---------------



Fren Sistemi

Break System

Tip	Çift devreli Hidrolik Disk Fren Ön ve Arka disk fren
Type	Double Circuit Hydraulic Brake Front and Rear Disc Brake



Süspansiyon

Suspension

Ön Makas Tipi Front Springs Type	Parabolic Makas Parabolic Springs
Arka Makas Tipi Rear Springs Type	Parabolic Makas Parabolic Springs



Lastikler ve Jantlar

Tyres and Rims

Ön Aks Front Axle	275/80 R20
Arka Aks Rear Axle	4+1



Araç Kapasitesi

Vehicle Capacity

Yüksüz Ağırlık Total Weight	2860 kg
Yüklü Ağırlık Loaded Weight	5000 kg
Tırmanma Kabiliyeti Gradeability	31° (%60)
Yükseklik Height	2570 mm ±20
Genişlik Width	2050 mm ±20
Uzunluk Length	5200 mm ±20
Azami Hız Maximum Speed	100 km/h