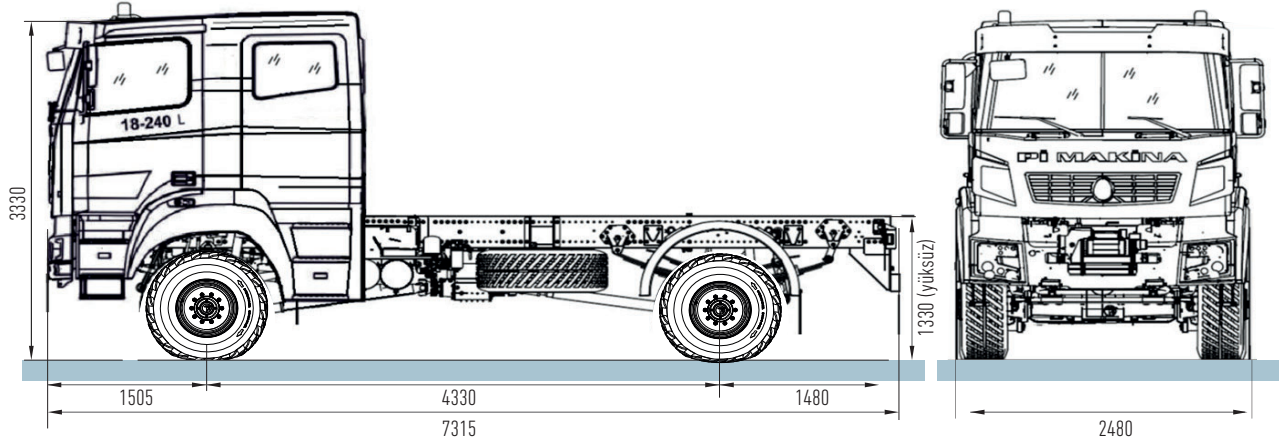


PİKAM 18-240 E6 L 4x4

PİKAM 18-240 E6 L 4x4

Machine Dimensions
Genel Ölçüler



Specifications Özellikler



Kabin Cab

| | |
|------------------------|----------------------------|
| Kabin Tipi Cab Type | Çift Kabin Double Cabin |
|------------------------|----------------------------|



Motor Engine

| | |
|-----------------------|--------------------------------|
| Tip Type | Daimler OM936LA E6D |
| Hacim Displacement | 7,7 Lt / 6 silindir - cylinder |
| Güç Power | 200 kW (272 HP) @ 2000 rpm |
| Tork Torque | 1100 Nm |



Yakıt Sistemi Fuel System

| | |
|-------------------------------------|---------------------------|
| Yakıt Enjeksiyonu Fuel Injection | Daimler |
| Yakıt Tankı Fuel Tank | 300 Lt. 50 Lt (Adblue) |



Şanzıman Transmission

| | |
|----------------|---------------|
| Marka Brand | Daimler |
| Tip Type | G141-9PCS 8+1 |



Ara Şanzıman Transfer Gearbox

| | |
|----------------|-----------------------|
| Marka Brand | Pi Makina |
| Tip Type | Pi TGB 2 S3 (1:1,798) |



Direksiyon Sistemi Steering System

| | |
|----------------|---|
| Marka Brand | Hema |
| Tip Type | Hidrolik Takviyeli Hydraulic Supported |



Debriyaj Clutch System

| | |
|--------------------------------------|-------------------|
| Alt Merkez Marka Sub Center Brand | Pendosil-Mercedes |
| Üst Merkez Marka Top Center Brand | Wabco |



Akslar Axels

| | |
|-----------------------|--------------------|
| Ön Aks Front Axle | PİFA 1427 (1:7.15) |
| Arka Aks Rear Axle | PİRA 1427 (1:7.15) |



Elektrik Electric

| | |
|-----------------------|-------------------------|
| Arka Aks Rear Axle | 24 V (2 x 12V - 165 Ah) |
|-----------------------|-------------------------|



Fren Sistemi Break System

| | |
|-------------|--|
| Tip Type | Çift devreli Hidrolik Disk Fren Ön ve Arka disk fren Double Circuit Hydraulic Brake Front and Rear Disc Brake |
|-------------|--|



Süspansiyon Suspension

| | |
|--------------------------------------|---|
| Ön Makas Tipi Front Springs Type | Yığma Makas ve Parabolik Makas Leaf spring and Parabolic Springs |
| Arka Makas Tipi Rear Springs Type | Yığma Makas ve Parabolik Makas Leaf spring and Parabolic Springs |



Lastikler ve Jantlar Tyres and Rims

| | |
|-----------------------|-----------|
| Ön Aks Front Axle | 14.00 R20 |
| Arka Aks Rear Axle | 4+1 |



Araç Kapasitesi Vehicle Capacity

| | |
|-------------------------------------|-------------|
| Yüksüz Ağırlık Total Weight | 8000 kg |
| Yüklü Ağırlık Loaded Weight | 16000 kg |
| Tırmanma Kabiliyeti Gradeability | 31° (%60) |
| Yükseklik Height | 3300 mm ±20 |
| Genişlik Width | 2480 mm ±20 |
| Uzunluk Length | 7315 mm ±20 |
| Azami Hız Maximum Speed | 100 km/h |